

REVISIONS				
ZONE	REV.	DESCRIPTION	DATE	APPROVED
	-	ORIGINAL RELEASE JOB# 603059-2	07/28/06	

## DESCRIPTION:

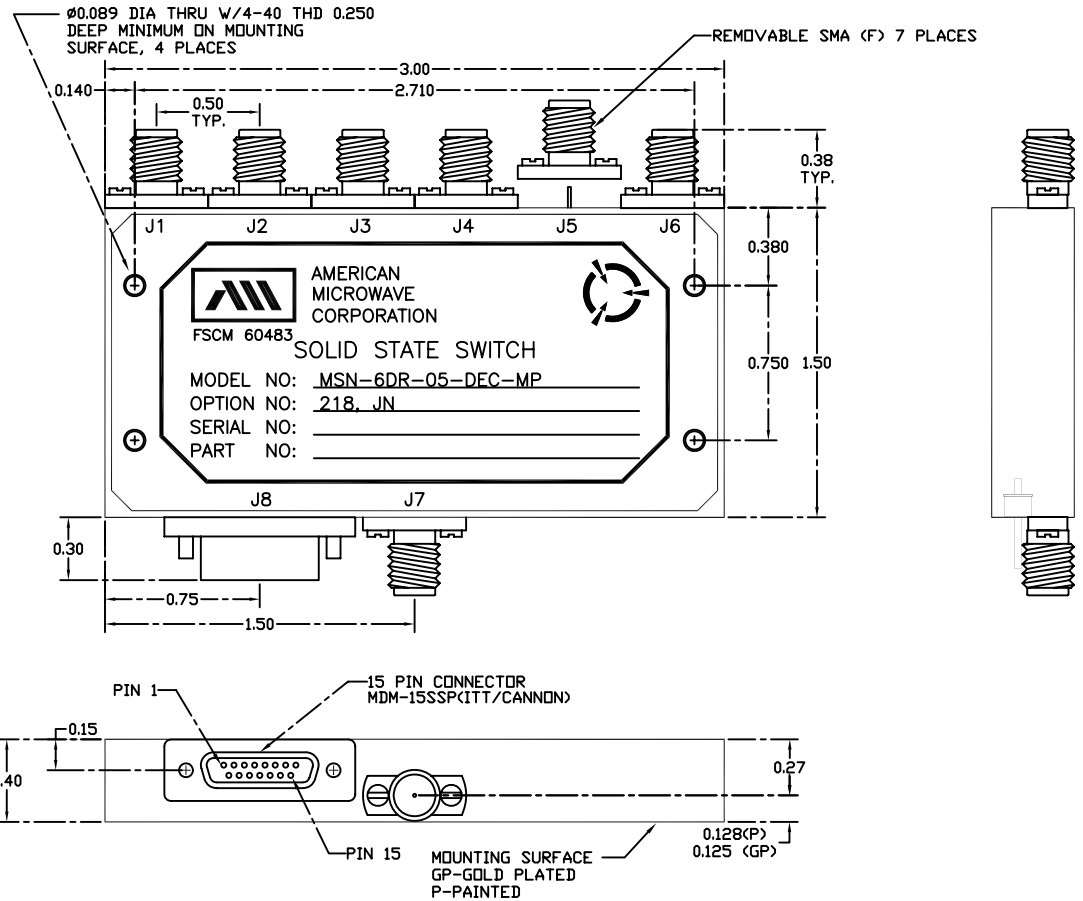
AMC MODEL MSN-6DR-05-DEC-MP OPTION 218, JN IS A REFLECTIVE SP8T SWITCH WITH VERY LOW INSERTION LOSS. HIGH ISOLATION DESIGN FOR 2 TO 18 GHz FREQUENCY RANGE WITH A 3 BIT DECODER.

## SPECIFICATIONS:

- FREQUENCY: ..... 2 GHz TO 18 GHz
- INSERTION LOSS: ..... REFLECTIVE: 3.0db MAXIMUM
- ISOLATION: ..... 2 GHz TO 18 GHz: 60db MINIMUM
- VSWR: ..... REFLECTIVE INPUT/OUTPUT(ON): 2.0:1
- SPEED: ..... RISE: 10ns TYPICAL, 15nS MAX.  
FALL: 10ns TYPICAL, 15nS MAX.  
DELAY ON: 75ns TYPICAL, 100nS MAX.  
DELAY OFF: 75ns TYPICAL, 100nS MAX.
- POWER SUPPLY: ..... +5V @ 300mA MAX.  
-5V @ 75mA MAX.(RELECTIVE)

## OPTIONS:

INDEPENDANT CONTROL WITH SOLDER PIN STANDARD  
 218: ..... 2 GHz TO 18 GHz (NO CHANGE IN INSERTION LOSS)  
 JN ..... INSERTION LOSS 30dB MAX. AND ISOLATION OF 60 dB MIN.  
 SPECIFICATIONS FOR MR. JOHN NOVAK.



## ENVIRONMENTAL RATINGS

- TEMPERATURE ..... -54°C TO +85°C (OPERATING)  
-65°C TO +100°C (STORAGE)
- HUMIDITY ..... MIL-STD-202F, METHOD 103B COND. B
- SHOCK ..... MIL-STD-202F, METHOD 213B COND. B
- VIBRATION ..... MIL-STD-202F, METHOD 204D COND. B
- ALTITUDE ..... MIL-STD-202F, METHOD 105C COND. B
- TEMPERATURE CYCLE ..... MIL-STD-202F, METHOD 107D COND. A

NOTE: THE ABOVE SPECIFICATIONS ARE SUBJECT TO CHANGE OR REVISION

PIN OUT TABLE	
3 BIT DECODER	
PIN NO.	FUNCTION
1	E1
2	E2
3	E3
4	N/C
5	N/C
6	N/C
7	N/C
8	N/C
9	N/C
10	N/C
11	N/C
12	GND
13	+V
14	-V
15	GND

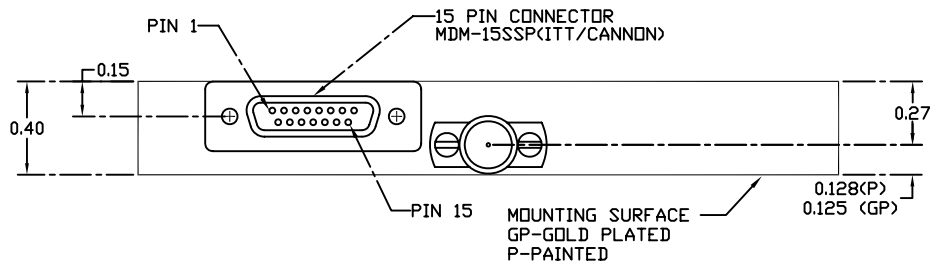
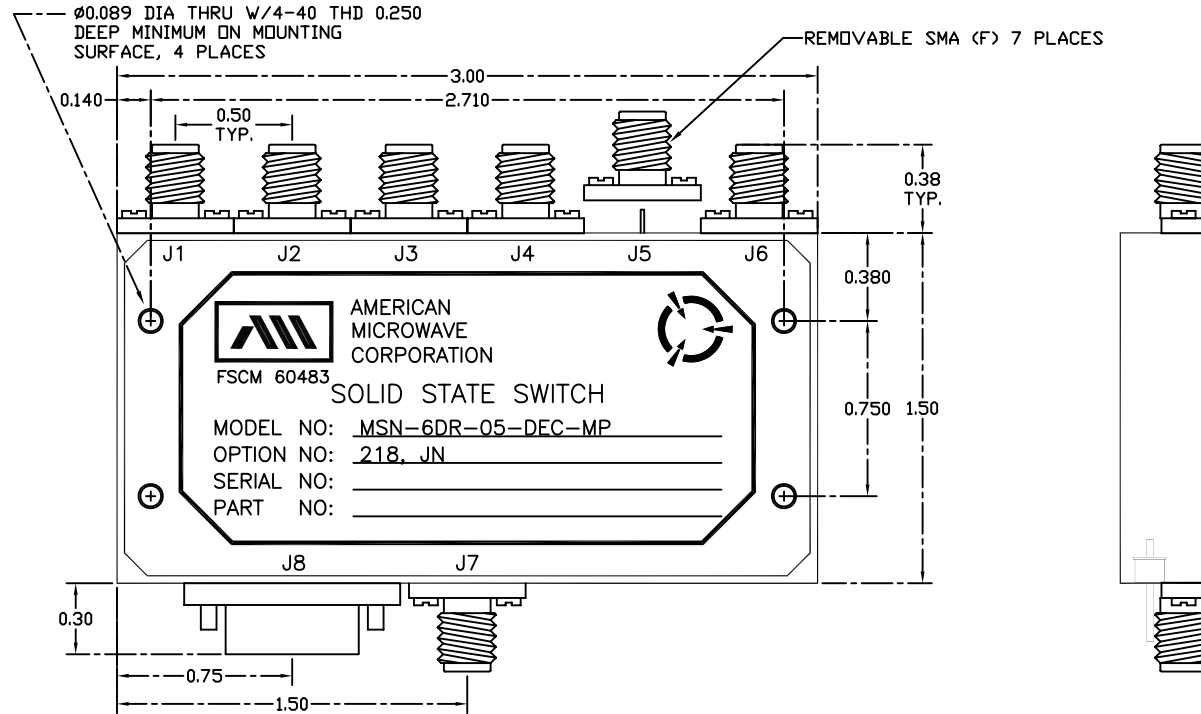
ALL DIMENSIONS ARE IN INCHES  
 TOLERANCES:  
 X.XX ±0.020  
 X.XXX ±0.010

PART NO.		AMERICAN MICROWAVE CORPORATION FREDERICK, MARYLAND	
APPROVALS	DATE	TITLE	
DRAWN <i>PRB</i>	07/21/06	OUTLINE DRAWING MSN-6DR-05-DEC-MP REFLECTIVE, OPTIONS: 218, JN SOLID STATE SWITCH	
CHECKED <i>RA</i>	07/31/06	SIZE	REV.
ISSUED		FSCM NO. A 60483	DWG NO. 100-4151-5
		SCALE 1:1	SHEET 1 of 4

DESCRIPTION:

AMC MODEL MSN-6DR-05-DEC-MP OPTION 218, JN IS  
 A REFLECTIVE SP8T SWITCH WITH VERY LOW INSERTION  
 LOSS, HIGH ISOLATION DESIGN FOR 2 TO 18 GHz FREQUENCY  
 RANGE WITH A 3 BIT DECODER.

REVISIONS				
ZONE	REV.	DESCRIPTION	DATE	APPROVED
	-	ORIGINAL RELEASE JOB# 603059-2	07/28/06	



NOTE: THE ABOVE SPECIFICATIONS ARE SUBJECT TO CHANGE OR REVISION

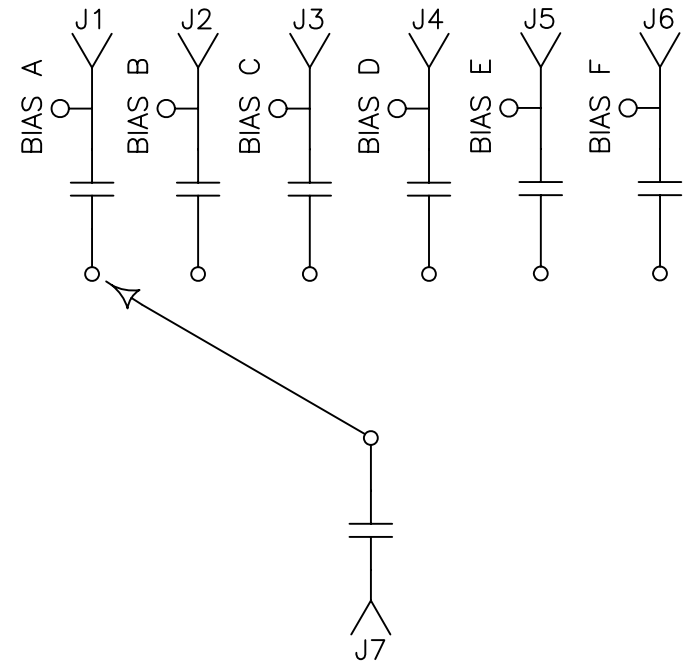
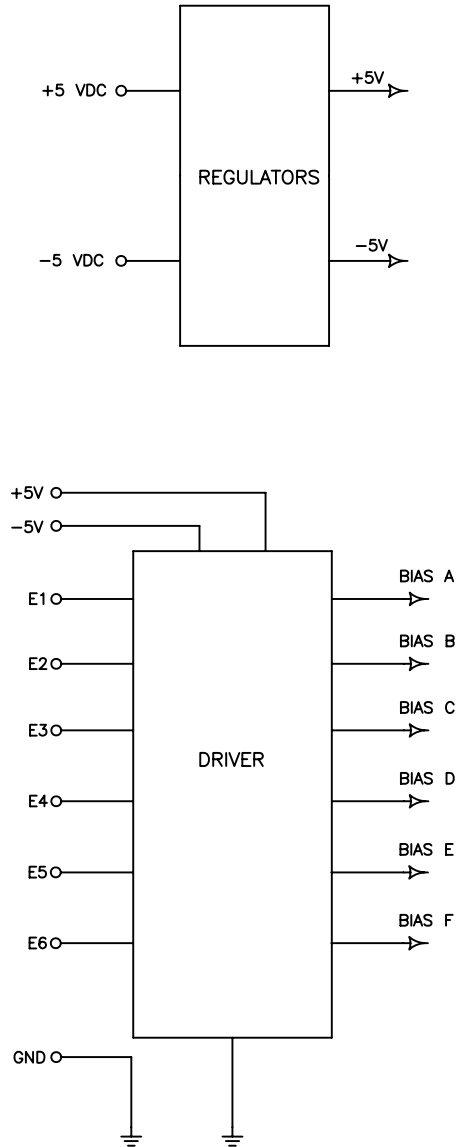
PART NO.		AMERICAN MICROWAVE CORPORATION FREDERICK, MARYLAND		
APPROVALS	DATE	TITLE		
DRAWN <i>PRB</i>	07/21/06	OUTLINE DRAWING MSN-6DR-05-DEC-MP REFLECTIVE, OPTIONS: 218, JN SOLID STATE SWITCH		
CHECKED <i>RA</i>	07/31/06	SIZE	FSCM NO.	DWG NO.
ISSUED		A	60483	100-4151-5
		SCALE	1:1	SHEET 2 of 4
				REV. -

DESCRIPTION:


AMC MODEL MSN-6DR-05-DEC-MP OPTION 218, JN IS A REFLECTIVE SP8T SWITCH WITH VERY LOW INSERTION LOSS. HIGH ISOLATION DESIGN FOR 2 TO 18 GHz FREQUENCY RANGE WITH A 3 BIT DECODER.

REVISIONS				
ZONE	REV.	DESCRIPTION	DATE	APPROVED
	-	ORIGINAL RELEASE JOB# 603059-2	07/28/06	

FUNCTIONAL BLOCK DIAGRAM



NOTE: THE ABOVE SPECIFICATIONS ARE SUBJECT TO CHANGE OR REVISION

PART NO.		 AMERICAN MICROWAVE CORPORATION FREDERICK, MARYLAND		
APPROVALS	DATE	TITLE		
DRAWN <i>PRB</i>	07/21/06	OUTLINE DRAWING MSN-6DR-05-DEC-MP REFLECTIVE, OPTIONS: 218, JN SOLID STATE SWITCH		
CHECKED <i>RA</i>	07/31/06	SIZE	FSCM NO.	DWG NO.
ISSUED		A	60483	100-4151-5
		SCALE 1:1		REV. -
			SHEET	3 of 4